



ACC-DTSP00-BKIT INSTALLATION INSTRUCTIONS

PARTS LIST INCLUDES

<u>DESCRIPTION</u>	<u>QTY.</u>
ACC-DTSP00 (BRACKET)	2
M6 x 1.0 x 15mm HEX BOLT-SS	4
M6 x 1.0 HEX NUT-SS	8
M6 x 1.0 x 50mm HEX BOLT-SS	4
¼"-20 x ¾" SOCKET HEAD CAP SCREW-SS	2
¼" FLAT WASHER-SS	8
¼" LOCK WASHER-SS	8

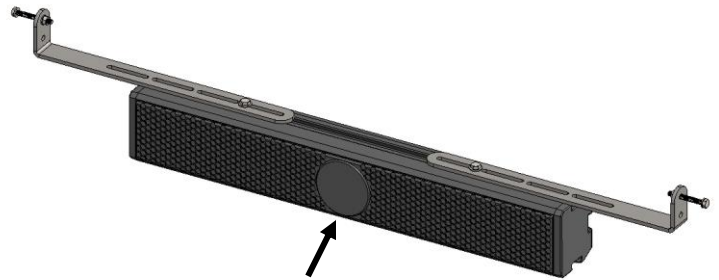
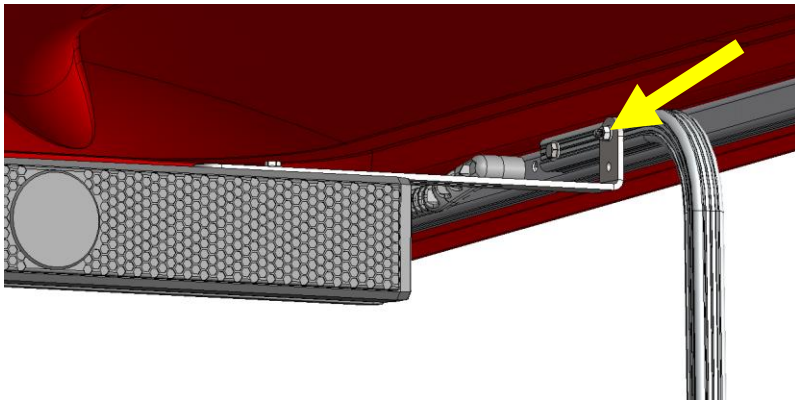


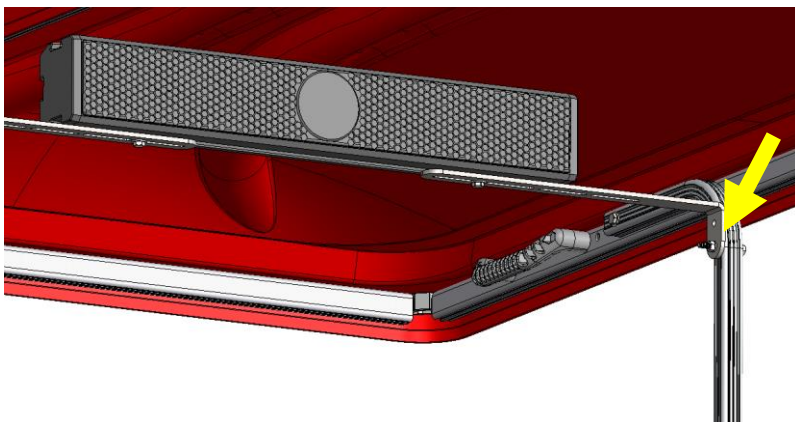
ILLUSTRATION SHOWS EXAMPLE OF BRACKETS MOUNTED TO A GOLF CAR ACCESSORY. SPEAKER BAR NOT INCLUDED.

OPTION #1



MOUNT ASSEMBLY TO AN EXISTING HOLE LOCATION UNDER THE CANOPY. DEPENDING ON VEHICLE CONFIGURATION, ADDITIONAL HARDWARE MAY BE REQUIRED.

OPTION #2



DRILL 5/16" DIAMETER HOLES THROUGH TOP SUPPORTS OR TOP RAILS AND MOUNT WITH HARDWARE SUPPLIED.