



BOX-117

E-Z-Go RXV Utility Box Mounting Kit

BOX-104 Service Bulletin

If the front seat back support brackets extend past the back of the econo aluminum utility box, please perform the steps below to shorten the brackets.

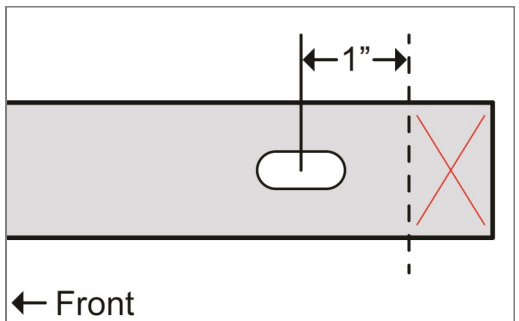
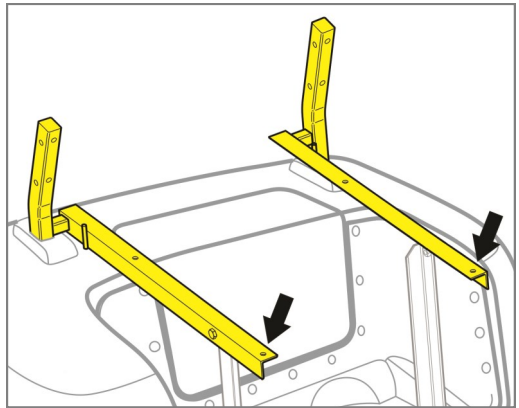
1. Locate the rear most mounting holes (slots) on the seat back support brackets.

2. Measure 1" from the center of the mounting hole (slot) to the rear of the bracket. Mark the measurement with a marking device.

3. Cut the support bracket at the marked location with a cutting tool.

4. Use a paint marker or spray paint to paint the exposed metal. Let dry.

5. Complete the above steps for both brackets.



6. Complete the installation of BOX-117 and BOX-104 following the instructions.

Your RHOX Utility Box Mounting Kit will now be fully functional with the RHOX Econo Aluminum Utility Box.

Thank you for your patience and please enjoy safely!