



# LGT-655

## Plug and Play Horn Kit, 48V

### Installation Instructions



#### Contents of LGT-655 Horn Kit

1. Horn, 48V
2. Horn Decal
3. Horn Button
4. Horn Harness
5. 1/4"-20 x 1" Hex Head Bolt, Washer and Nut
6. Mounting Rivets
7. Zip Ties

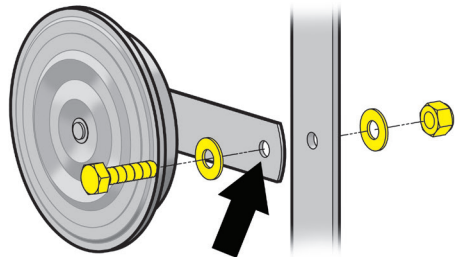
#### Tools Required for Installation

1. Sockets and Wrenches (7/16")
2. Drill and Drill Bits (7/32", 1/4", 5/8")
3. Rivet Gun
4. Marking Device
5. Safety Glasses

**CAUTION:** This horn kit is designed to operate at a 48V DC. Operating this kit at any voltage over 48V DC can damage the horn and void the warranty. A voltage reducer must be used if operating this kit at a voltage over 48V DC to avoid damage.

### Installation

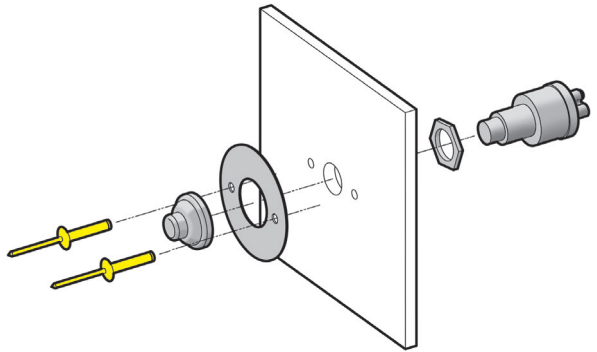
1. Mount the horn under the driver side front end of the vehicle in a location free of moving parts using the 1/4"-20 x 1" Hex Head Bolt, Flat Washer and Nylock Nut. Use a pre-drilled hole or drill a 1/4" hole in a safe location on the golf cart frame. The horn should face away from the cart and its passengers.



2. Use the pre-drilled hole for the horn button in the floor or the cart (located under the mat) or find a convenient location on the floor to mount the horn button. This area should be free and clear of obstacles and wiring harnesses. Drill a 5/8" hole through the floor at the location. Cut away the floor mat over the hole.

3. Insert the horn button in the hole from the underside of the cart. Place the horn decal over the horn button. Screw the rubber button cover onto the horn button. Do not tighten.

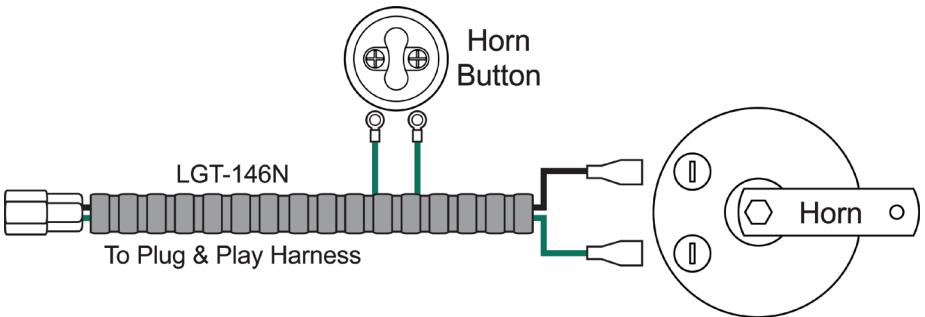
4. Align the decal so it is straight. Mark the (2) hole locations for the decal onto the floor mat. Remove the horn button, cover and decal. Drill the (2) marked hole locations with a 7/32" bit.



5. Install the horn button and decal as shown using the Included Rivets.

6. Connect the (2) ring terminals on the horn harness to the back of the horn button and connect the (2) spade terminals to the horn. You can connect the leads to either terminal.

7. Connect the triangular plug on the horn harness to the triangular plug on the RHOX plug and play harness. Secure any loose wire with cable ties.



This completes the installation of your Horn Kit. Please enjoy safely!  
Scan QR code or use the link to view our installation video library.  
<https://www.youtube.com/user/golfcartinstructions>