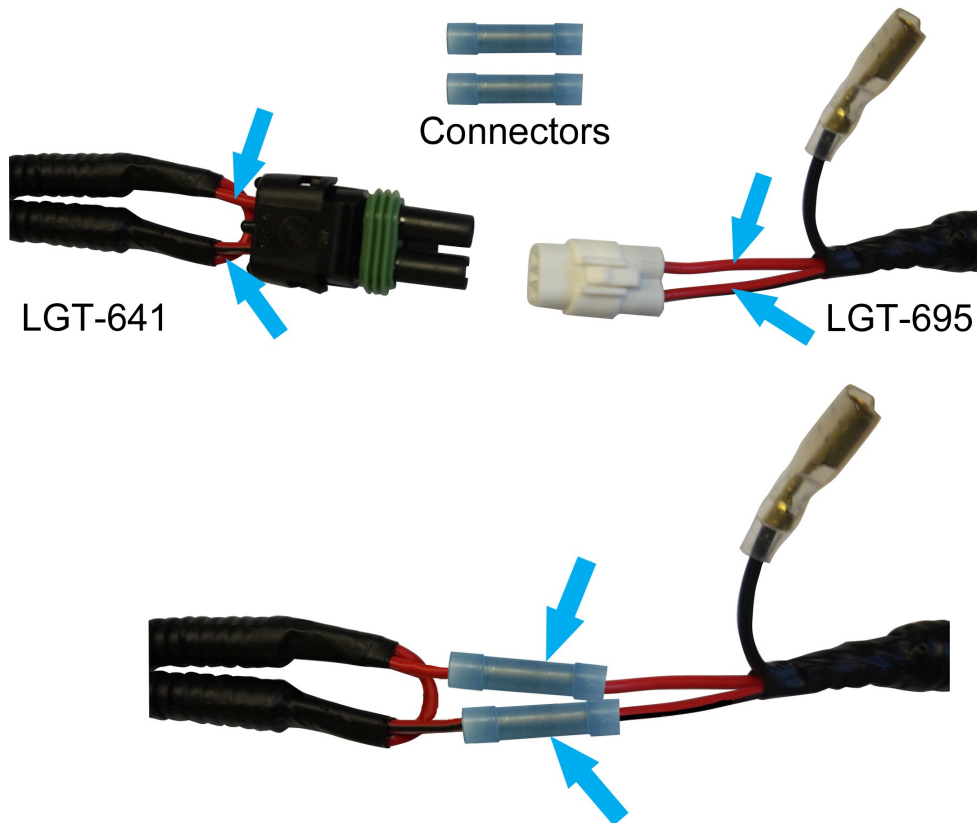




# LGT-695 with LGT-641 RETROFIT INSTRUCTIONS

For Use in LGT-405/605 Light Kits

We are in the process of updating the LGT-695 Wiring Harness. If the connector on the LGT-695 Harness does not fit into the connector on LGT-641, please follow the steps below to hardwire them together. As an alternative, the LGT-641 can be substituted with a LGT-138 Brake Pad that can plug directly into the LGT-695 Harness.



**Step 1:** Cut the RED and BLACK/RED wires close to the connector on the LGT-641. Do NOT cut the looped section. Strip the ends of the wires.

**Step 2:** Cut the RED and BLACK/RED wires close to the connector on the LGT-695. Strip the end of the wire.

**Step 3:** Using the included butt connector, splice the RED wire in LGT-641 with the RED wire in LGT-695.

**Step 4:** Using the included butt connector, splice the BLACK/RED wire in LGT-641 with the BLACK/RED wire in LGT-695.

Your LGT-641 will now be fully functional.

Thank you.