

JXHD30PS Installation Instructions

Content List:

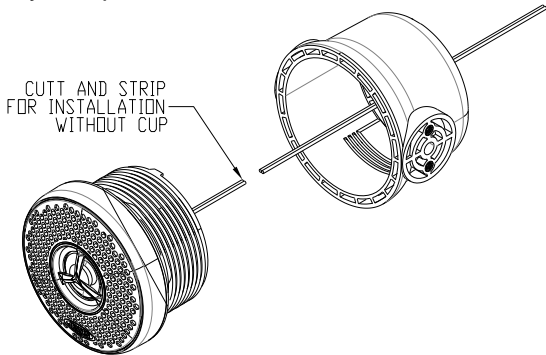
- 2x Speakers
- 2x Speaker Cups
- 2x Swivel Mount Brackets
- 2x Panel Mount Screw Nuts
- 2x EVA Foam Gaskets
- 8x M4x0.7x12mm BHCS Screws
- 4x M4x0.7x14mm PPS Screws
- 12x M4 Washers
- 12x M4 Lock Washers

Panel Mount Method

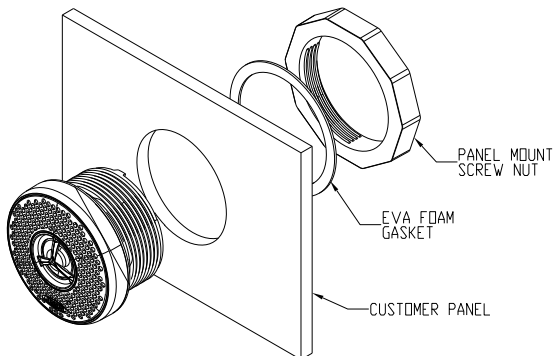
Hardware required (Per Speaker):

- 1x EVA Gasket
- 1x Panel Mount Screw Nut

1. Drill a 3.13"+/-0.13" hole into the flat panel surface you intend to mount to.
2. Cut wires between speaker and cup. Strip for splicing to your speaker wires.



3. Install as shown below.



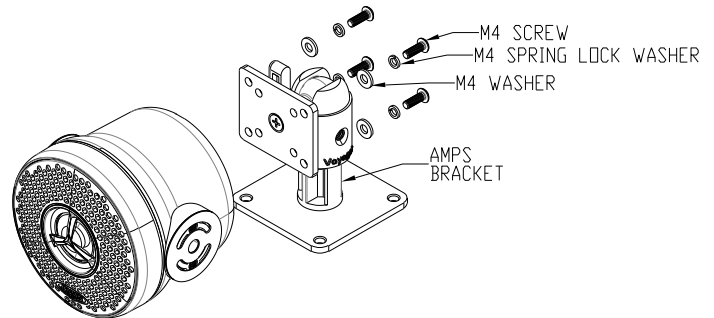
4. Tighten the panel mount nut until snug and gaskets are compressed firmly.
5. Speaker should not rotate by hand when installed.

AMPs Mount Method

Hardware required (Per Speaker):

- 4x M4x0.7x10mm Screws (Not included)
- 4x M4 Washers
- 4x M4 Lock Washers (Not Shown)
- 1x AMPS mount (VOSHD4MNT shown, not included)
- 4x Bracket Mounting Screws (Not shown, not included)

1. Attach cup to AMPS mount bracket using screws, lock washers, and washer

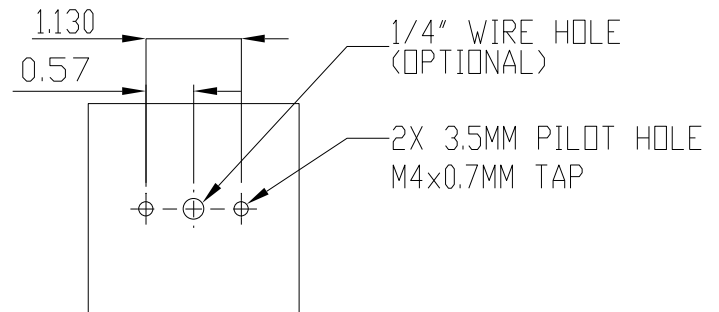


Swivel Bracket Mount Method

Hardware required (Per Speaker):

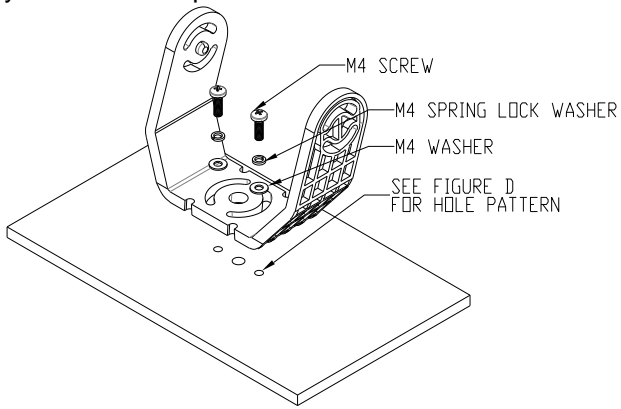
- 4x M4x0.7x12mm BHCS Screws
- 2x M4x0.7x14mm PPH Screws
- 6x M4 Washers
- 6x M4 Lock Washers (Not Shown)
- 3.5mm Drill (If mounting pattern not on vehicle)
- M4 Tap (If mounting pattern not on vehicle)

1. If no mounting pattern exists, then you will need to drill and tap the pattern shown below.

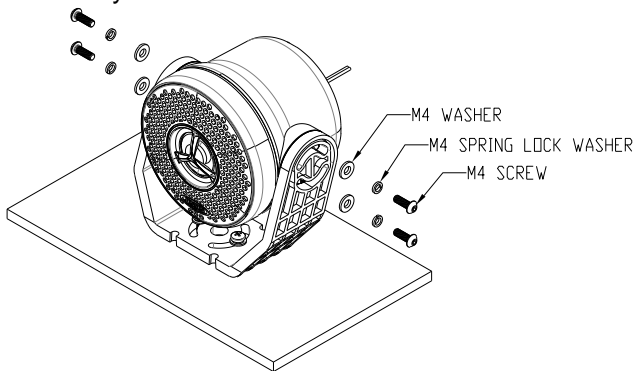


2. Mount bracket to intended surface using 2x M4x0.7x14mm PPH screws, 2x M4 lock washers, and 2x M4 washers. Tighten after aiming bracket in the direction

you intend the speaker to face.

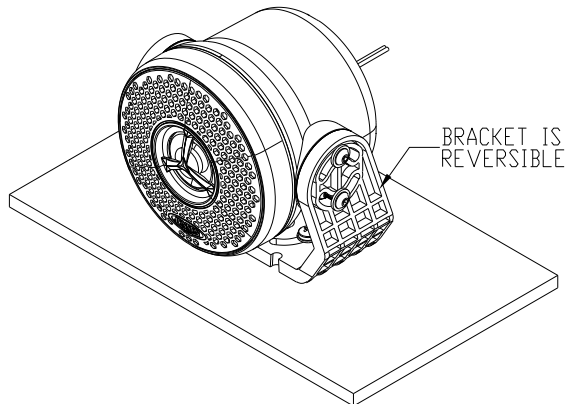


3. Mount the speaker cup to the bracket using 4x M4x0.7x12mm BHCS screws, 4x M4 lock washers, and 4x M4 Washers. Tighten after aiming the speaker in the direction you intend it to face.

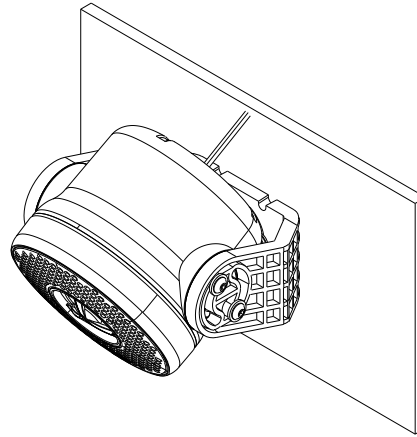


4. The bracket may also be mounted in the configurations shown below.

a. Bracket Reversed



b. Wall Mount



c. Ceiling/Roof Mount

