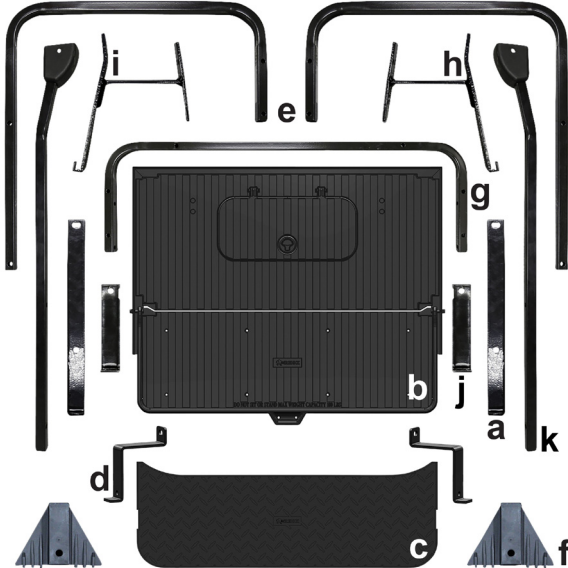




RHOK

Rugged parts for your ride.

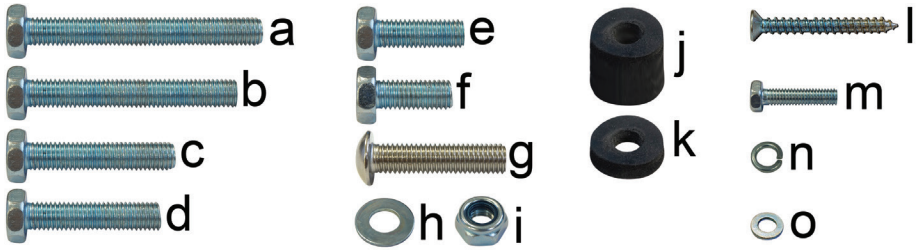
SEAT-131 Club Car Precedent RHOK Seat Kit Installation Instructions



Contents of SEAT-131 Rear Seat Kit:

- a 2 ea. Vertical Support Brackets
- b 1 ea. Seat Platform
- c 1 ea. Footplate
- d 2 ea. Footplate Mounting Brackets
- e 2 ea. Handrails
- f 2 ea. Footplate Support Brackets
- g 1 ea. Rear Seat Back Support Frame
- h 1 ea. Seat Back Bracket, Passenger Side
- i 1 ea. Seat Back Bracket, Driver Side
- j 2 ea. Rear Strut Brackets
- k 2 ea. Rear Struts
- l 1 ea. Bag of Hardware (Contents on Next Page)

Caution: Please read through the instructions carefully. Installer is responsible for damage if instructions are not followed properly. Look behind each drill or cut location BEFORE YOU DRILL OR CUT. Installer is responsible for damage (i.e. drilling/cutting into a wiring harness, battery, fuel tank etc.). Extra installers will be helpful in some parts of the installation. Refer to vehicle's maintenance manual for torquing specifications on reused hardware.



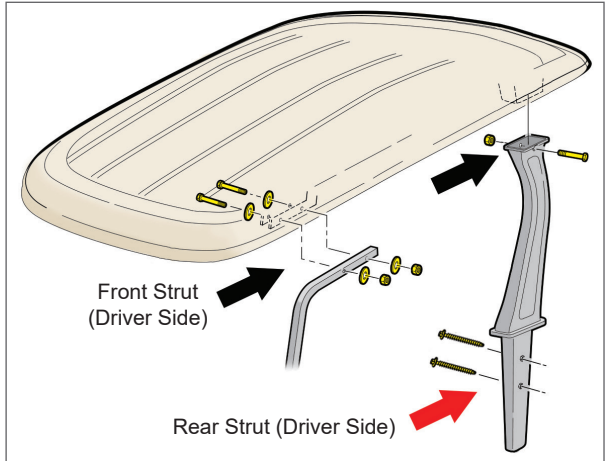
Contents of SEAT-131 Hardware Kit		Bag #1	#2	#3	#4	#5
a	M10 x 80 Hex Head Bolts				2	
b	M10 x 70 Hex Head Bolts		2		4	
c	M10 x 50 Hex Head Bolts	2	2	2		
d	M10 x 45 Hex Head Bolts					2
e	M10 x 30 Hex Head Bolts			2		
f	M10 x 25 Hex Head Bolts		2			
g	M10 x 40 Phillips Head Truss Bolts				2	
h	M10 Flat Washers	4	12	8	14	4
i	M10 Nylock Nuts	2	6	4	8	2
j	M10 x 25mm Thick Spacers		2			
k	M10 x 4mm Thick Spacers		2		2	
l	ST6.3 x 45 Phillips Head Countersunk Screws					8
m	M6 x 25 Hex Head Bolts					4
n	M6 Lock Washers					4
o	M6 Flat Washers					4
p	Plastic Plugs for Platform (not shown)	4				

Tools Needed for Installation

- Sockets and Open Ended Wrenches (8mm, 10mm, 13mm, 17mm)
- Torx Bit Socket: T40
- Phillips and Flat Head Screwdrivers
- Drill and Drill Bit (3/8")
- Rubber Mallet (Optional)
- Chisel (Optional)

Installation Preparation

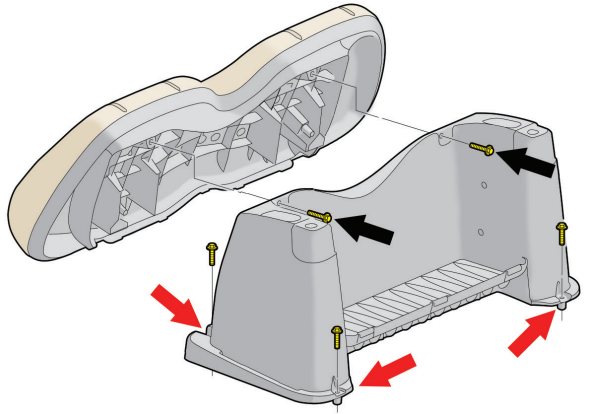
1. Engage parking brake.
2. Turn key OFF.
3. Electric Carts Only: Place Tow/Run Switch in Tow.
4. Remove canopy (black arrows). Retain hardware.
5. Remove rear struts (red arrow). Hardware is located inside of sweater basket. Discard struts and hardware.



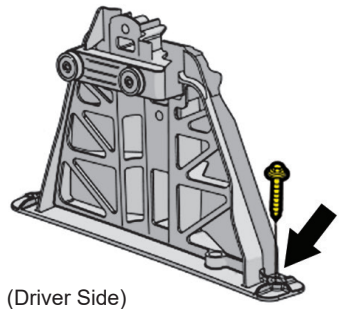
6. Remove the front seat back cushion (black arrows). Retain seat back and hardware.

NOTE: Remove TORX bolts by hand. Do not use air tools.

7. Remove sweater basket / SAM Assembly (red arrows, 4 bolts total). Discard sweater basket / SAM assembly. Retain hardware.



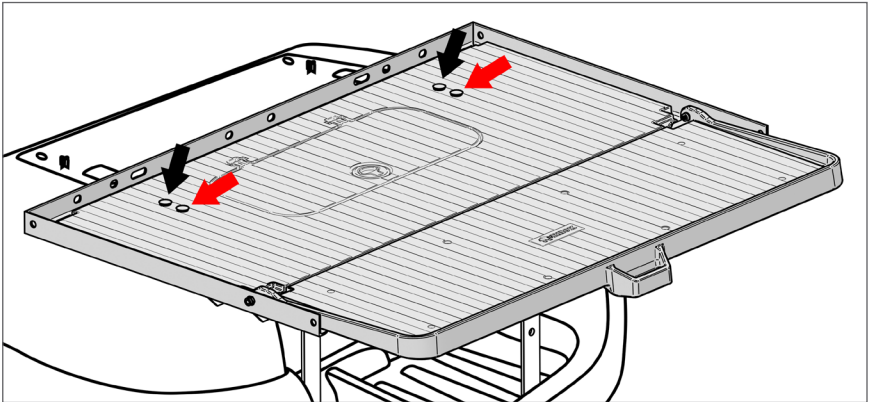
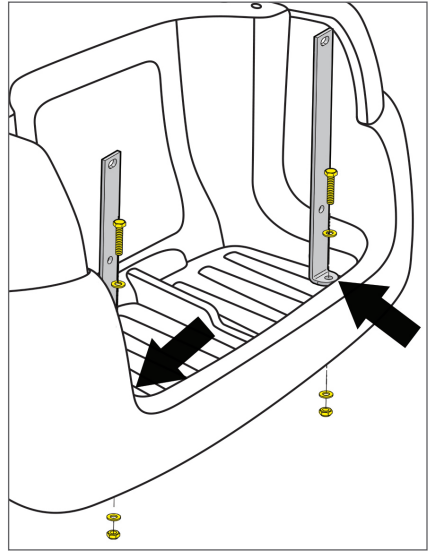
8. Remove both canopy supports. Discard supports and retain hardware.



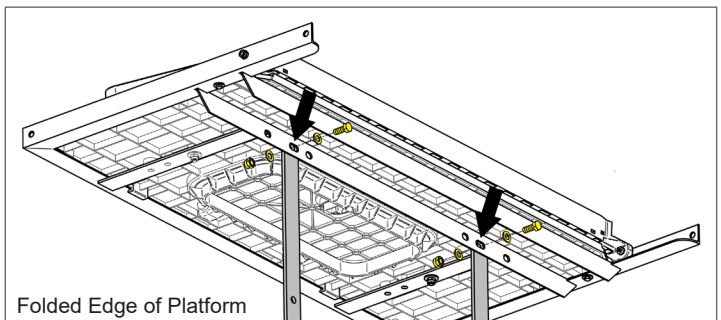
Rear Seat Kit Installation

1. Use a 3/8" drill bit to open up the (2) rear and outer most holes in the bagwell area. Drill completely through the rivet and the frame. Driver side hole not shown.
2. Loosely fasten the vertical support brackets to the bagwell area using (2) M10 x 50 Hex Head Bolts, (4) Flat Washers and (2) Nylock Nuts (**Bag #1**).
3. Loosely install the seat platform to the rear body using the Original Hardware removed in Step 7 (red arrows) and 8 (black arrows).

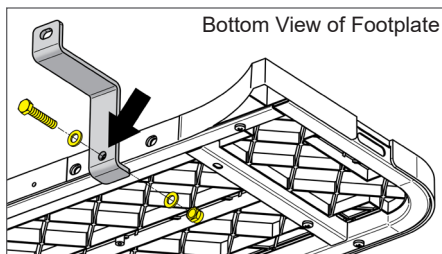
NOTE: Protect the rear body from scratches with a thick blanket or clean piece of cardboard. An extra installer is recommended to help with the platform.



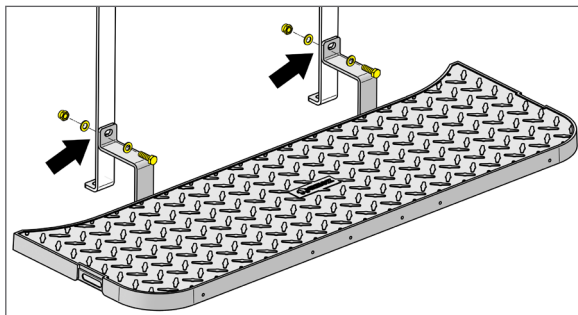
4. With the platform folded, loosely install the seat platform to the vertical support brackets using (2) M10 x 25 Hex Head Bolts, (4) Flat Washers and (2) Nylock Nuts (**Bag #2**).



5. Install the footplate mounting brackets to the holes on the footplate using (2) M10 x 50 Hex Head Bolts, (4) Flat Washers and (2) Nylock Nuts (**Bag #3**).



6. Loosely fasten the footplate to the vertical support brackets using (2) M10 x 30 Hex Head Bolts, (4) Flat Washers and (2) Nylock Nuts (**Bag #3**).



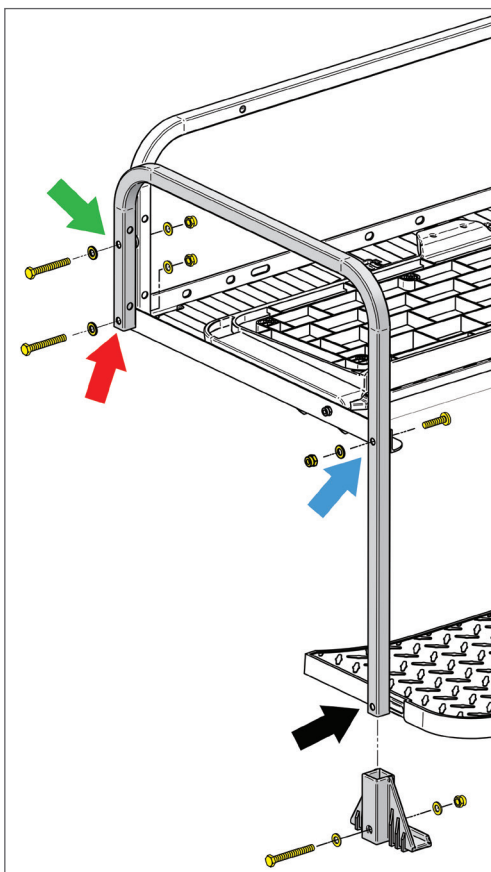
7. Loosely fasten the longer leg of a handrail to the rearmost portion of the seat platform (blue arrow) using (1) M10 x 40 Phillips Head Truss Bolt, (1) Flat Washer & (1) Nylock Nut (**Bag 4**).

8. Slide a footplate support bracket over the long end of the handrail until the holes align (black arrow). The bracket will cradle the footplate. Loosely fasten the bracket and handrail to the footplate using (1) M10 x 80 Hex Head Bolt, (2) Flat Washers & (1) Nylock Nut (**Bag #4**).

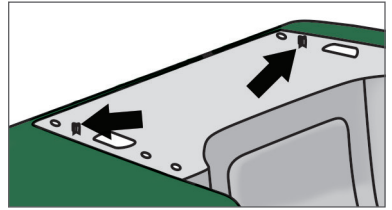
9. Repeat Steps 7 and 8 for the opposite handrail.

10. Place the seat back support frame between the handrails. Loosely fasten the support frame to the bottom of the handrails (red arrow) using (2) M10 x 70 Hex Head Bolts, (4) Flat Washers and (2) Nylock Nuts (**Bag #4**).

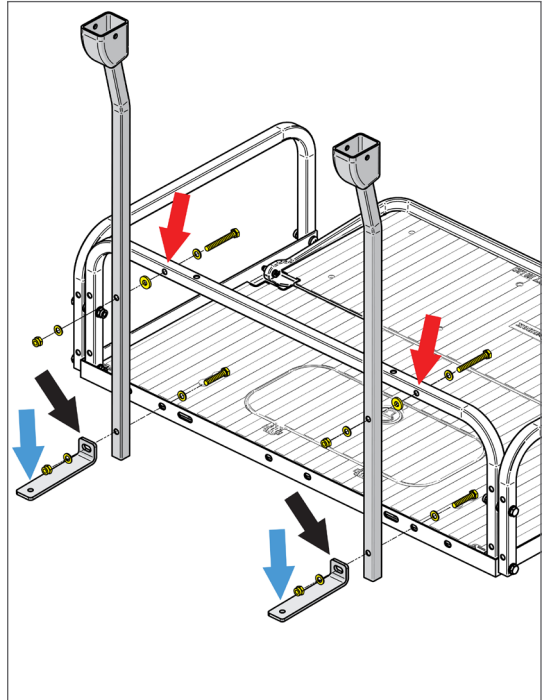
11. Loosely fasten the top of the handrails to the support frame (green arrow) using (2) M10 x 70 Hex Head Bolts, (4) Flat Washers, (2) Nylock Nuts and (2) M10 x 4mm Thick Spacers (**Bag #4**).



12. Use a chisel or flat head screwdriver to remove the (2) sweater basket assembly pins that were under the canopy support brackets.



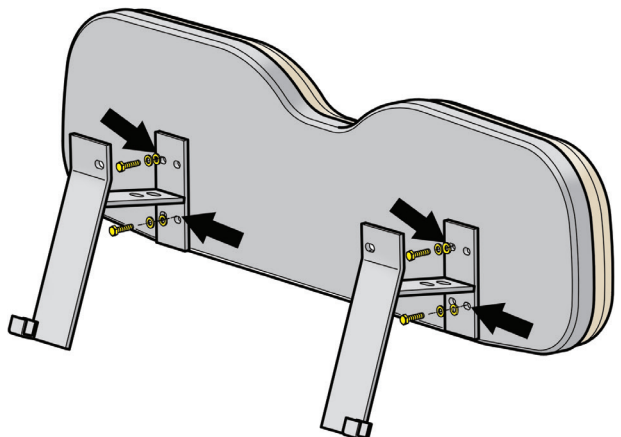
13. If installing the OE top, loosely fasten the new rear struts to the seat back support frame (red arrows) using (2) M10 x 70 Hex Head Bolts, (2) Spacers, (4) Flat Washers and (2) Nylock Nuts (**Bag #2**).
14. Loosely fasten the rear strut brackets to the rear struts (or spacers*) and the seat platform (black arrows) using (2) M10 x 50 Hex Head Bolts, (4) Flat Washers and (2) Nylock Nuts (**Bag #2**).



NOTE *: If installing an extended top or if rear struts are not being installed in this location, install (2) M10 x 25mm Spacers (black arrows, **Bag #2**) in place of the struts.

15. Loosely fasten the rear strut brackets to the body of the cart using the Original Hardware (blue arrows).

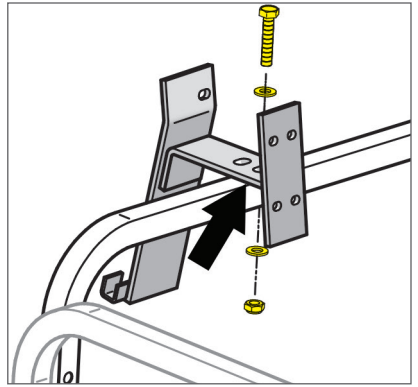
16. Install the seat back brackets to the rear seat back using (4) M6 x 25 Hex Head Bolts, (4) Lock Washers and (4) Flat Washers (**Bag #5**). Hand tighten.



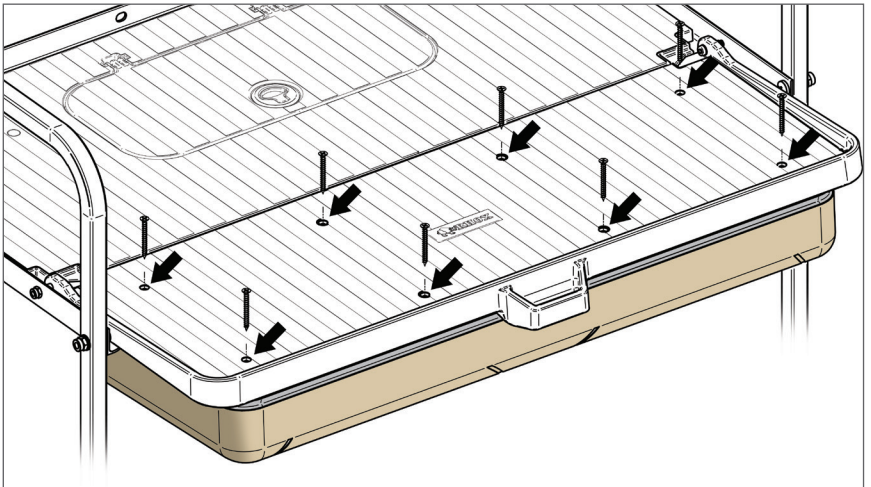
NOTE: The driver and passenger side brackets are different.

17. Loosely fasten the seat back support brackets on top of the support frame using (2) M10 x 45 Hex Head Bolts, (4) Flat Washers and (2) Nylock Nuts (**Bag #5**). Rear seat back is not shown.

NOTE: The seat back support brackets have (2) vertical mounting holes for adjustment. They can be mounted closer to the front or closer to the rear of the cart depending on the driver's height.



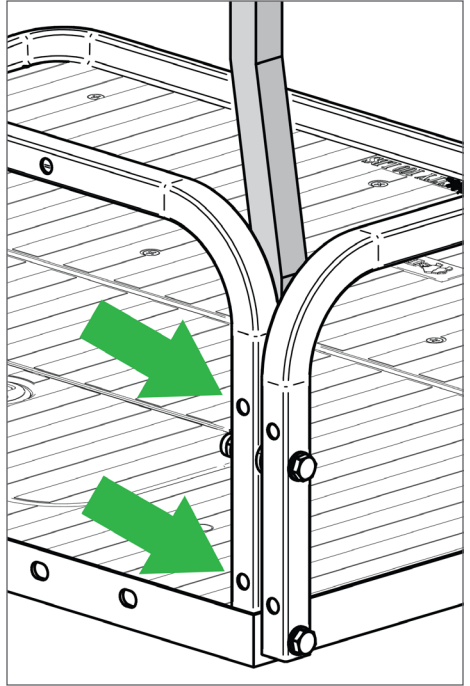
18. Install the front seat back cushion using the Original Hardware. Hand tighten.
19. Tighten all hardware.
20. Align the seat bottom cushion with the holes on the platform. Fasten the seat bottom cushion to the platform using (8) ST6.3 x 45 Phillips Head Countersunk Screws (**Bag #5**). Hand tighten.



21. If installing struts for an extended top, install them to the either set of holes shown with the green arrows. TOP-0108 is shown for reference.

NOTE: RHOX 88" tops require TOP-0108 rear struts.

22. Reinstall top using Original Hardware (if applicable).



This completes the installation of you RHOX 100 Series Rear Seat Kit. Please enjoy safely!

Scan QR code or use the link below to view our installation video library.
www.youtube.com/@GolfCartInstructions



RED HAWK
A Family of Brands

