



RHOOX

Rugged parts for your ride.

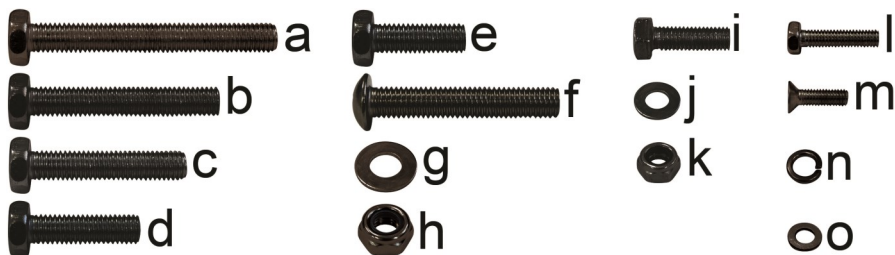
SEAT-961 E-Z-Go RXV RHOOX 900 Series Seat Box Kit Installation Instructions



Contents of SEAT-961 Seat Box Kit:

- a (2 ea.) Front Seat Back Support Brackets
- b (2 ea.) Front Seat Back Support Bracket Boots
- c (1 ea.) Vertical Support Bracket
- d (1 ea.) Horizontal Support Bracket, Passenger Side
- e (1 ea.) Horizontal Support Bracket, Driver Side
- f (1 ea.) Utility Box
- g (2 ea.) Rear Seat Back Brackets
- h (1 ea.) Footplate
- i (2 ea.) Handrails
- j (2 ea.) Handrail Extensions
- k (2 ea.) Footplate Support Brackets
- l (1 ea.) Box of Hardware (Contents on Next Page)

Caution: Please read through the instructions carefully. Installer is responsible for damage if instructions are not followed properly. Look behind each drill or cut location BEFORE YOU DRILL OR CUT. Installer is responsible for damage (i.e. drilling/cutting into a wiring harness, battery, fuel tank etc.). Extra installers will be helpful in some parts of the installation. Refer to vehicle's maintenance manual for torquing specifications on reused hardware.



Contents of SEAT-961 Hardware Kit		Bag #1	#2	#3	#4	#5
a	M10 x 80 Hex Head Bolts			2		
b	M10 x 60 Hex Head Bolts	2				
c	M10 x 50 Hex Head Bolts	2				
d	M10 x 35 Hex Head Bolts		2			
e	M10 x 30 Hex Head Bolts		4			
f	M10 x 60 Phillips Head Countersunk Screws		2			
g	M10 Flat Washers	8	12	4		
h	M10 Nylock Nuts	4	6	2		
i	M8 x 25 Hex Head Bolts				4*	
j	M8 Flat Washers				8*	
k	M8 Nylock Nuts				4	
l	M6 x 25 Hex Head Bolts					4
m	M6 x 15 Phillips Head Countersunk Screws					4*
n	M6 Lock Washers					4
o	M6 Flat Washers					4

* Hardware is pre-installed on box if not in bags.

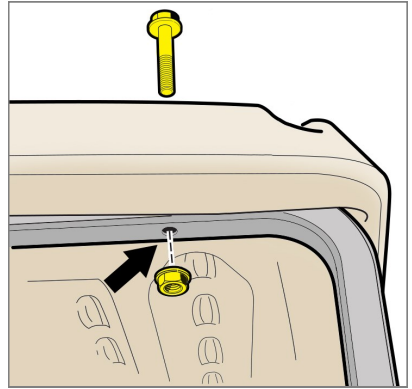
Tools Needed For Installation

- Sockets and Open Ended Wrenches: 10mm, 13mm, 15mm, 17mm
- Torx Bit Socket: T45
- Phillips Screwdriver
- Drill and Drill Bit (3/8")
- Rubber Mallet (Optional)

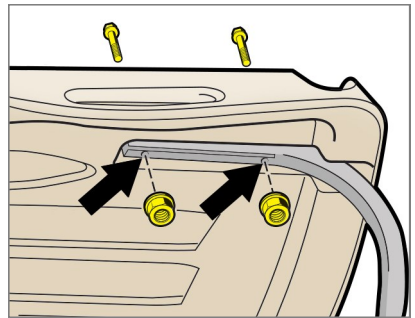
Installation Preparation

1. Engage parking brake.
2. Turn key OFF.
3. Electric Carts Only: Place Tow/Run Switch in Tow.
4. Remove top.

NOTE: If reinstalling the top, keep the top attached to the front struts and prop up the rear of the top using a broom handle or similar tool. Retain hardware.

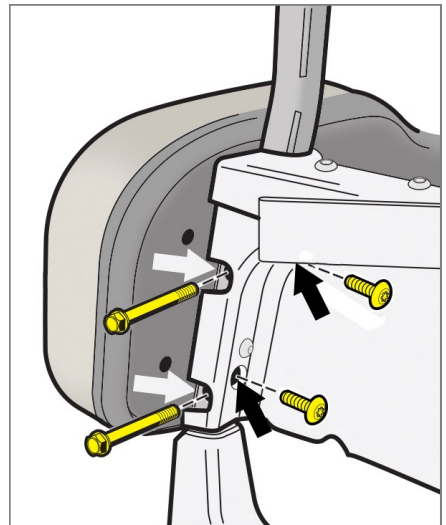


Front Strut (Driver Side)



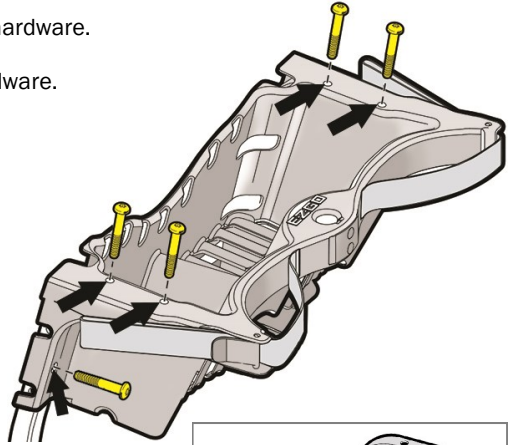
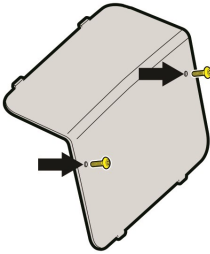
Rear Strut (Driver Side)

5. Remove the front seat back cushion (black arrows). Retain hardware.
6. Remove rear struts (white arrows).

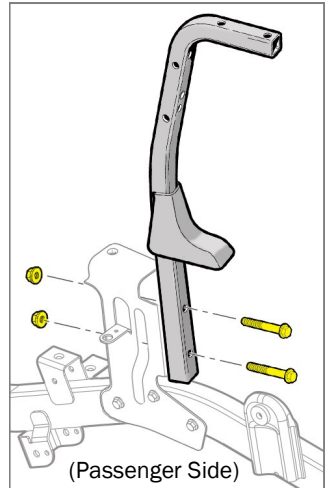


(Driver Side)

7. Remove sweater basket. Discard hardware.
8. Remove access panel. Retain hardware.

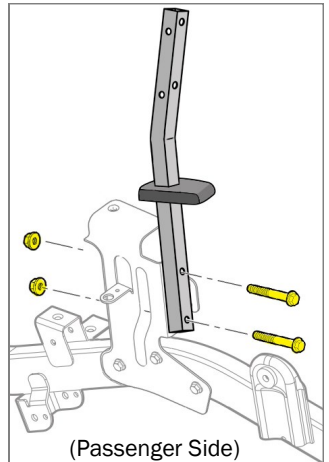


9. Remove both seat back support brackets and rubber boots. The brackets are attached to the frame, under the body.

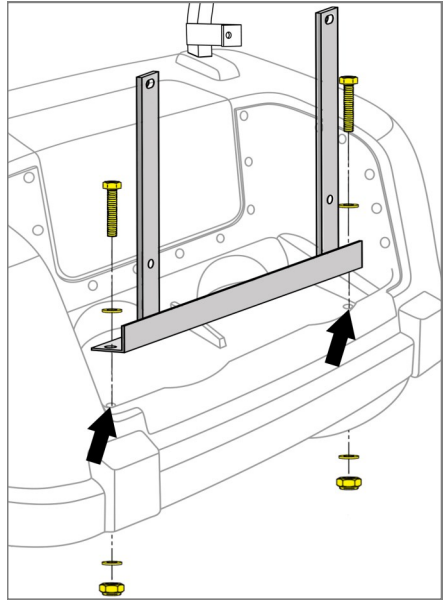


Rear Seat Kit Installation

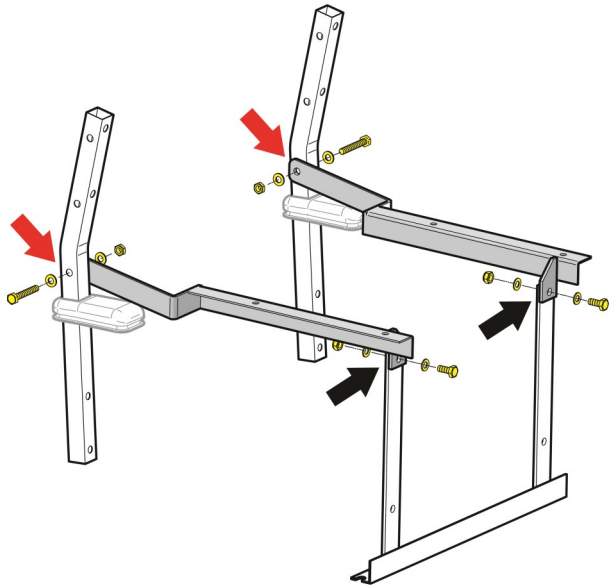
1. Slide a new boot around the bottom of each of the new front seat back support brackets.
2. Install the new front seat back support brackets where the original brackets were installed. Mount using the Original Hardware.
3. Reinstall the access panel using the Original Hardware.



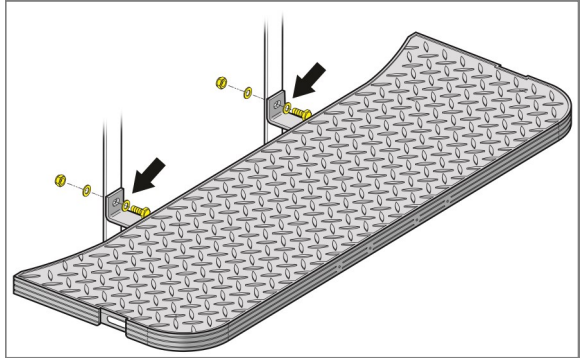
4. Use a 3/8" drill bit to open up the (2) rear most holes in the bagwell area (black arrows). Drill completely through the frame.
5. Loosely fasten the vertical support bracket to the bagwell area using (2) M10 x 50 Hex Head Bolts, (4) Flat Washers and (2) Nylock Nuts (**Bag #1**).



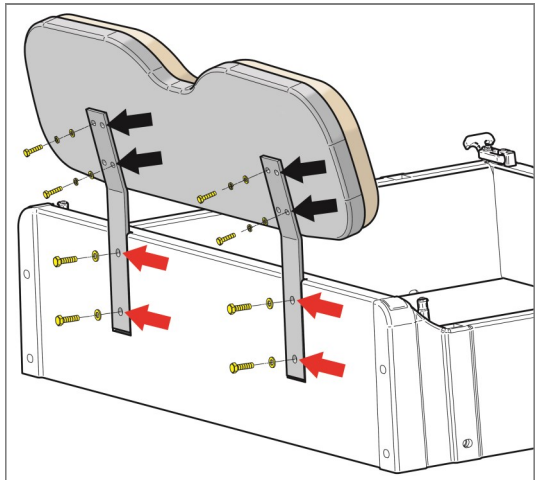
6. Loosely install the horizontal support brackets to the front seat back supports using (2) M10 x 60 Hex Head Bolts, (4) Flat Washers and (2) Nylock Nuts (red arrows, **Bag #1**).
7. Loosely install the horizontal support brackets to the vertical support using (2) M10 x 30 Hex Head Bolts, (4) Flat Washers and (2) Nylock Nuts (black arrows, **Bag #2**).



8. Loosely fasten the footplate to the vertical support bracket using (2) M10 x 30 Hex Head Bolts, (4) Flat Washers and (2) Nylock Nuts (**Bag #2**).

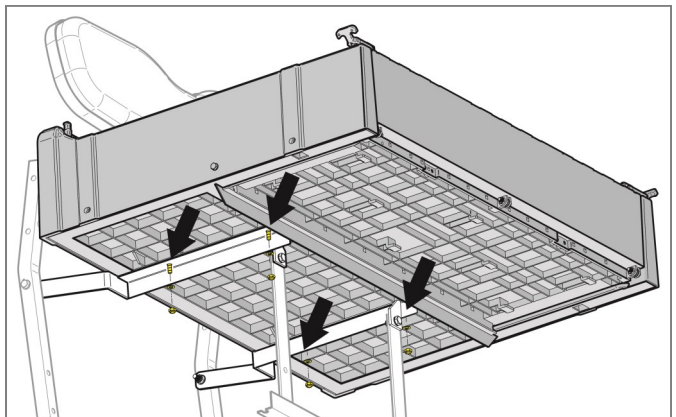


9. Loosely fasten the rear seat back brackets to the rear seat back cushion using (4) M6 x 25 Hex Head Bolts, (4) Lock Washers and (4) Flat Washers (black arrows, **Bag #5**).
10. Loosely fasten the seat back assembly to the front of the utility box using (4) M8 x 25 Hex Head Bolts and (4) Flat Washers (red arrows, **Bag #4**).

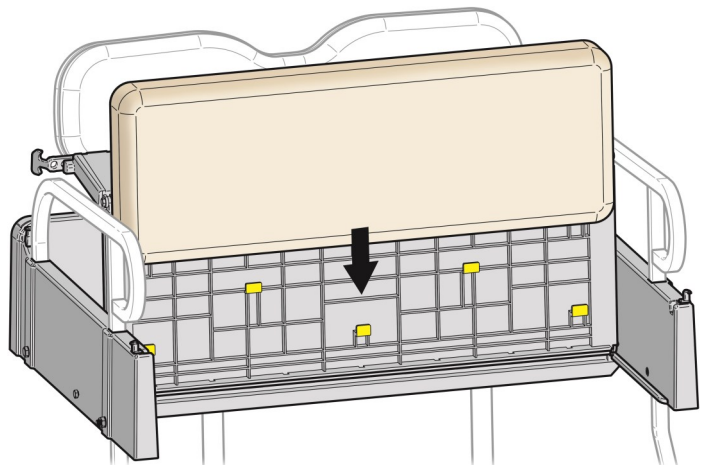
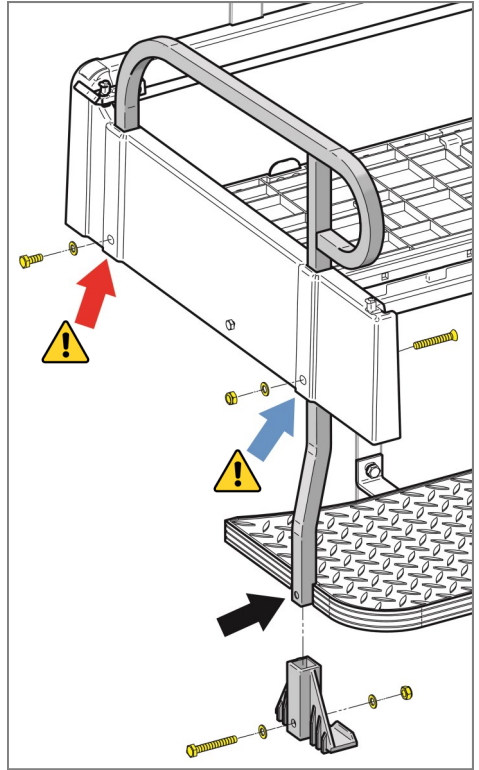


NOTE: Hardware may be pre-installed on box if not in Bag.

11. Tighten the hardware left loose in Steps 9 and 10.
12. Place the seat box assembly on top of the horizontal support brackets. Loosely fasten the box to the brackets using (4) M8 Flat Washers and (4) M8 Nylock Nuts (**Bag #4**).

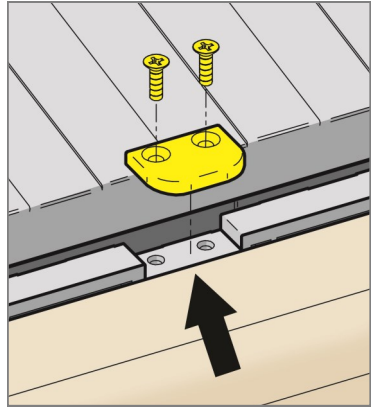


13. Place the handrails and handrail extensions through the openings in the box.
14. Loosely fasten the front portion of the handrails to the box using (2) M10 x 35 Hex Head Bolts and (2) Flat Washers (red arrow, **Bag #2**). Do not overtighten ⚠️.
15. Loosely fasten the handrail extensions to the handrails and the box using (2) M10 x 60 Phillips Head Countersunk Screws, (2) Flat Washers and (2) Nylock Nuts (blue arrow, **Bag #2**). Do not overtighten ⚠️.
16. Slide the footplate support brackets over the handrail extensions until the holes align. The brackets will cradle the footplate. Loosely fasten the brackets and handrail extensions to the footplate using (2) M10 x 80 Hex Head Bolts (4) Flat Washers and (2) Nylock Nuts (black arrow, **Bag #3**).
17. Install the front seat back cushion using the Original Hardware.
18. Slide the rear seat bottom onto the underside of the utility box deck until it clicks into place on the locking tabs (yellow).

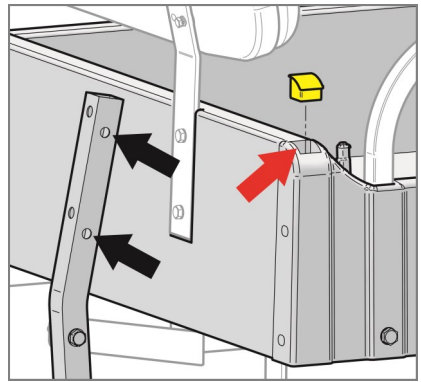


19. Lock the seat bottom into place with the (2) small retaining plates and (4) M6 x 15 Phillips Head Countersunk Screws (**Bag #5**).

NOTE: The retaining plates and screws may be installed on the utility box if not in Bag #5.



20. If reinstalling the OE rear struts, install them to the front seat back support frame using the Original Hardware (black arrows).
21. If installing struts for an extended top, remove the end caps from the front corners of the utility box (red arrow).



22. Insert the struts inside of the utility box where the end caps were removed. Fasten the struts to the box using the hardware preinstalled on the box. TOP-0108 rear struts are shown.

NOTE: RHOX 88" Tops require TOP-0108 rear struts.

23. Reinstall top using Original Hardware (if applicable).
24. Tighten all hardware.

This completes the installation of your RHOX 900 Series Seat Box Kit. Please enjoy safely!

Scan QR code or use the link below to view the installation video.

<https://vimeo.com/user39935056>

