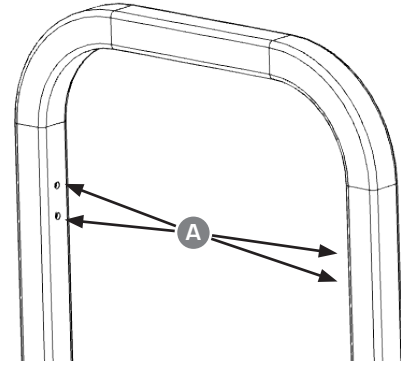


CRUZ SAFETY BAR

OPTIONAL ACCESSORY (Sold Separately)

STEP 1.1 PLUG HOLES IF NO CUP HOLDERS

Pre-Assemble Safety Bar. Cap holes with plastic plugs (A) if Cup Holder Kit is not used. If a Cup Holder Kit is used, do not cap.



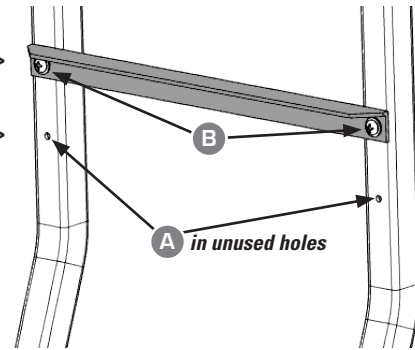
STEP 1.2 INSTALL CROSS BAR

Mount Cross Bar to Safety Bar for your specific make/model car as shown. Cap the unused holes with plastic plugs (A).

NOTE: Cap the unused holes with plastic plugs.

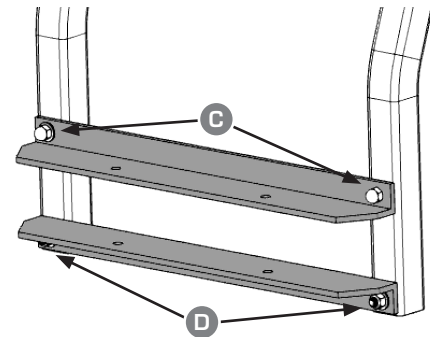
CC Precedent >

All Others >



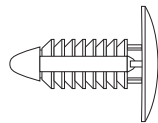
STEP 1.3 PLUG HOLES IF NO CUP HOLDERS

Install the Safety Bar brackets using (C) on the top and (D) on the bottom. The nuts install on the Bracket side.



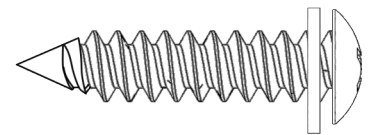
HARDWARE - SCALE 1:1

A x6



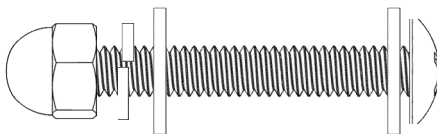
Plug

B x2



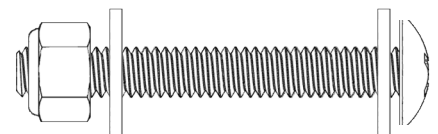
#14 x 3/4" Long Sheet Metal Screw - 1/4" Flat Washer

C x2



1/4" x 1-3/4" Truss Head Screw - 1/4" Lock Washer - 1/4" Flat Washer (x2) - 1/4" Acorn Nut

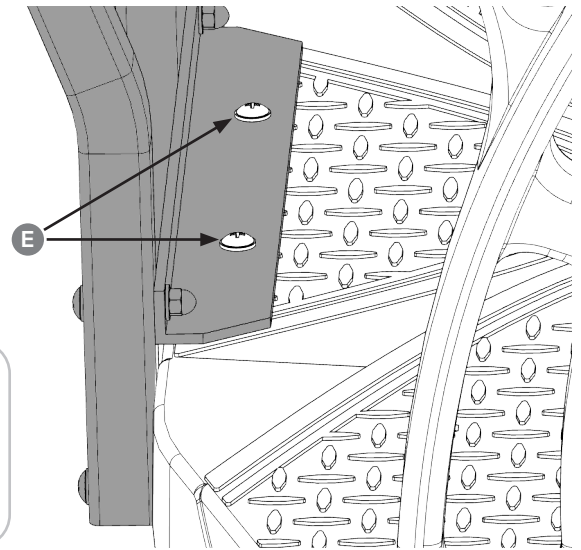
D x2



1/4" x 2" Truss Head Screw - 1/4" Flat Washer (x2) - 1/4" Nylock Nut

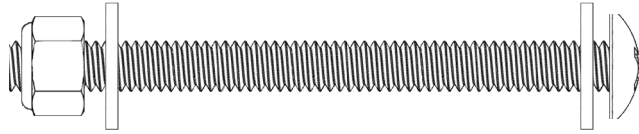
STEP 2 INSTALL SAFETY BAR

NOTE: Fully tighten Hardware.



HARDWARE - SCALE 1:1

E x2



1/4" X 3-1/4" Truss Screw - 1/4" Flat Washer (x2) - 1/4" Nylock Nut

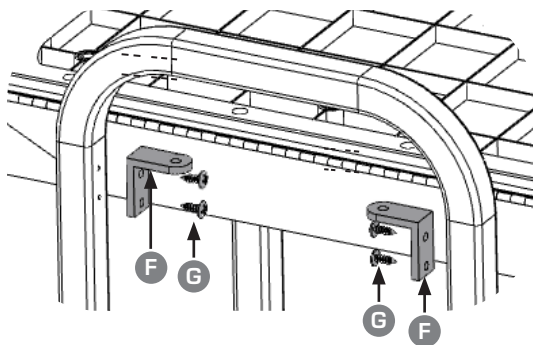
CUP HOLDERS

OPTIONAL ACCESSORY (Sold Separately)

STEP 1 ATTACH CUP HOLDER BRACKETS

NOTE: Fully tighten Hardware.

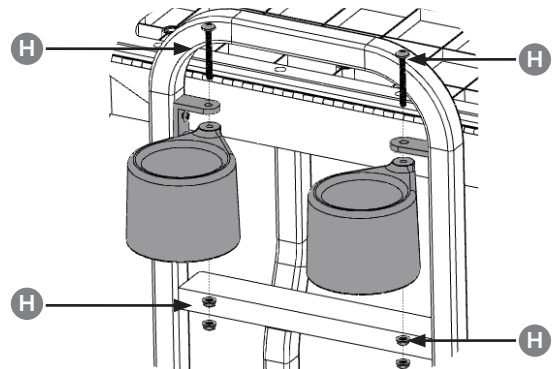
x2



STEP 2 ATTACH CUP HOLDER

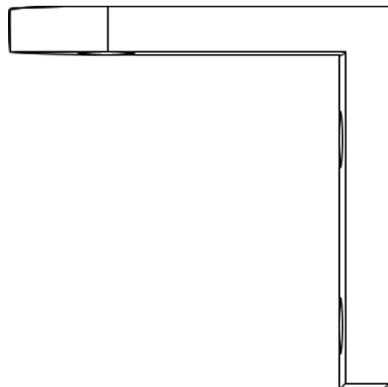
NOTE: Fully tighten Hardware.

x2



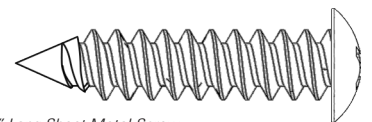
HARDWARE - SCALE 1:1

F x2



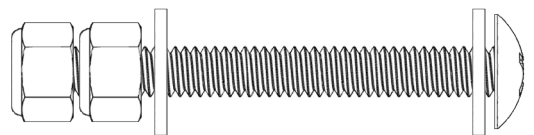
Cup Holder Bracket

G x4



#14 x 3/4" Long Sheet Metal Screw

H x2



1/4" X 2-1/2" Truss Phillips Screw - 1/4" Flat Washer (x2) - 1/4" Nylock Nut (x2)